

Teileverzeichnis

Aktueller Stand
siehe www.rems.de
weitere Teile auf Anfrage

Spare parts list

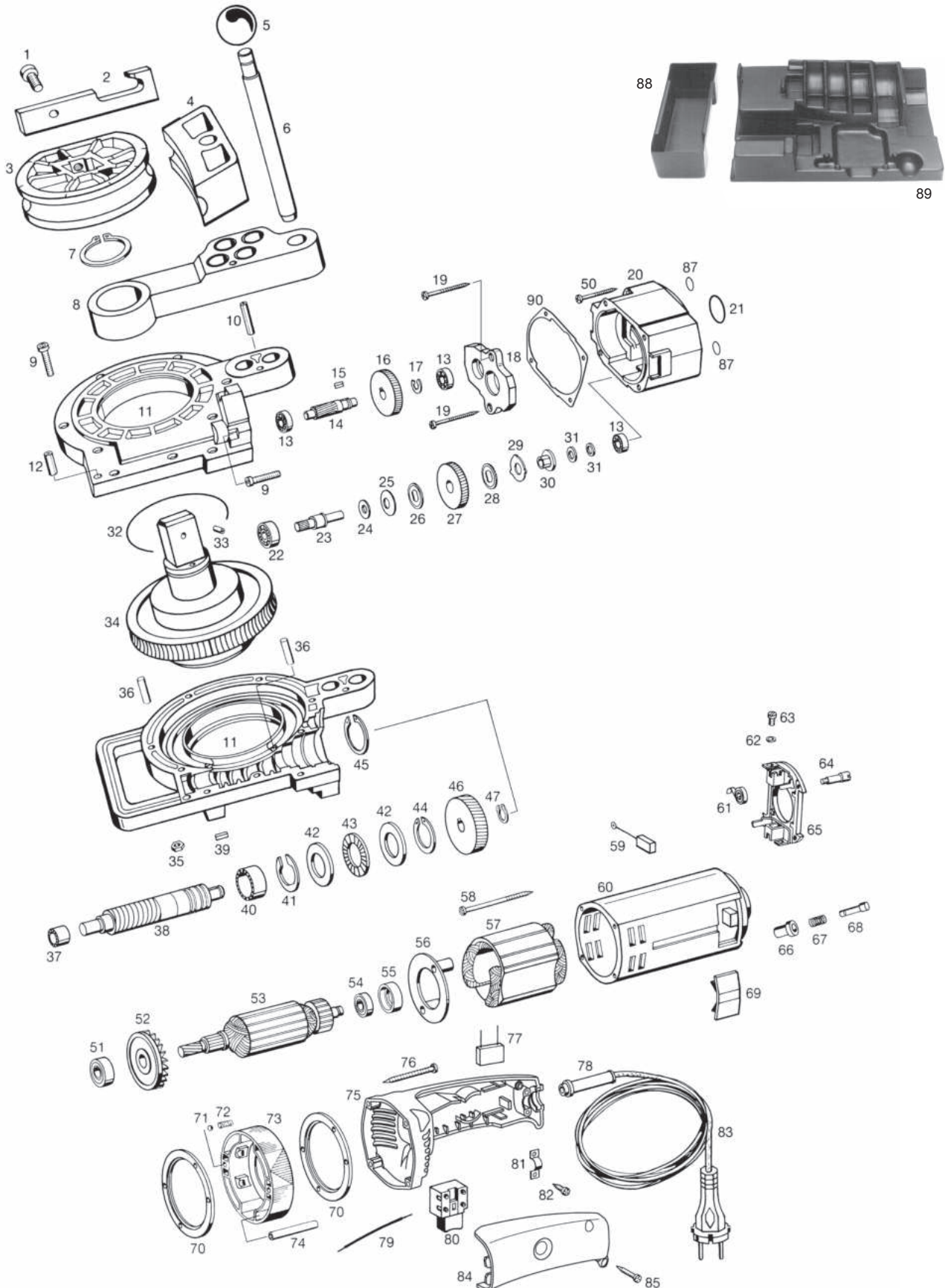
Latest version
see www.rems.de
other parts on request

Liste des pièces

Situation actuelle
voir www.rems.de
autres pièces sur demande

Elenco dei pezzi

Ultimo aggiornamento
vedi www.rems.de
altri ricambi su richiesta



REMS Curvo

deu		eng		fra		ita		
Biegesegment + Gleitstück		Former + back former		Forme + pièce coulissante		Matrice + pezzo scorrevole		
— Pos. 1, 2, 3 + 4		Pos. 1, 2, 3 + 4		Pos. 1, 2, 3 + 4		Pos. 1, 2, 3 + 4		
Ø 10,	R 40	Ø 10,	R 40	Ø 10,	R 40	Ø 10,	R 40	581400
Ø 12,	R 45	Ø 12,	R 45	Ø 12,	R 45	Ø 12,	R 45	581410
Ø 14,	R 50	Ø 14,	R 50	Ø 14,	R 50	Ø 14,	R 50	581420
Ø 15,	R 55	Ø 15,	R 55	Ø 15,	R 55	Ø 15,	R 55	581430
Ø 16,	R 60	Ø 16,	R 60	Ø 16,	R 60	Ø 16,	R 60	581440
Ø 17,	R 56	Ø 17,	R 56	Ø 17,	R 56	Ø 17,	R 56	581110
Ø 18,	R 70	Ø 18,	R 70	Ø 18,	R 70	Ø 18,	R 70	581450
Ø 20,	R 75	Ø 20,	R 75	Ø 20,	R 75	Ø 20,	R 75	581080
Ø 22,	R 77	Ø 22,	R 77	Ø 22,	R 77	Ø 22,	R 77	581460
Ø 22,	R 88	Ø 22,	R 88	Ø 22,	R 88	Ø 22,	R 88	581470
Ø 24,	R 75	Ø 24,	R 75	Ø 24,	R 75	Ø 24,	R 75	581130
Ø 25,	R 98	Ø 25,	R 98	Ø 25,	R 98	Ø 25,	R 98	581180
Ø 26,	R 98	Ø 26,	R 98	Ø 26,	R 98	Ø 26,	R 98	581270
Ø 28,	R 102	Ø 28,	R 102	Ø 28,	R 102	Ø 28,	R 102	581070
Ø 28,	R 114	Ø 28,	R 114	Ø 28,	R 114	Ø 28,	R 114	581310
Ø 30,	R 98	Ø 30,	R 98	Ø 30,	R 98	Ø 30,	R 98	581150
Ø 32,	R 98	Ø 32,	R 98	Ø 32,	R 98	Ø 32,	R 98	581280
Ø 32,	R 114	Ø 32,	R 114	Ø 32,	R 114	Ø 32,	R 114	581320
Ø 35,	R 140	Ø 35,	R 140	Ø 35,	R 140	Ø 35,	R 140	581350
Ø 40,	R 140	Ø 40,	R 140	Ø 40,	R 140	Ø 40,	R 140	581330
Ø 3/8",	R 43	Ø 3/8",	R 43	Ø 3/8",	R 43	Ø 3/8",	R 43	581200
Ø 1/2",	R 52	Ø 1/2",	R 52	Ø 1/2",	R 52	Ø 1/2",	R 52	581210
Ø 5/8",	R 63	Ø 5/8",	R 63	Ø 5/8",	R 63	Ø 5/8",	R 63	581220
Ø 3/4",	R 75	Ø 3/4",	R 75	Ø 3/4",	R 75	Ø 3/4",	R 75	581230
Ø 7/8",	R 98	Ø 7/8",	R 98	Ø 7/8",	R 98	Ø 7/8",	R 98	581240
Ø 1",	R 101	Ø 1",	R 101	Ø 1",	R 101	Ø 1",	R 101	581370
Ø 11/8",	R 102	Ø 11/8",	R 102	Ø 11/8",	R 102	Ø 11/8",	R 102	581260
Ø 11/8",	R 115	Ø 11/8",	R 115	Ø 11/8",	R 115	Ø 11/8",	R 115	581380
Ø 11/4",	R 133	Ø 11/4",	R 133	Ø 11/4",	R 133	Ø 11/4",	R 133	581390
Ø 13/8",	R 140	Ø 13/8",	R 140	Ø 13/8",	R 140	Ø 13/8",	R 140	581350
4 Gleitstück		Back former		Pièce coulissante		Pezzo scorrevole		
Ø 10,	R 40	Ø 10,	R 40	Ø 10,	R 40	Ø 10,	R 40	581404R
Ø 12,	R 45	Ø 12,	R 45	Ø 12,	R 45	Ø 12,	R 45	581414R
Ø 14,	R 50	Ø 14,	R 50	Ø 14,	R 50	Ø 14,	R 50	581424R
Ø 15,	R 55	Ø 15,	R 55	Ø 15,	R 55	Ø 15,	R 55	581434R
Ø 16,	R 60	Ø 16,	R 60	Ø 16,	R 60	Ø 16,	R 60	581444R
Ø 17,	R 56	Ø 17,	R 56	Ø 17,	R 56	Ø 17,	R 56	581114R
Ø 18,	R 70	Ø 18,	R 70	Ø 18,	R 70	Ø 18,	R 70	581454R
Ø 20,	R 75	Ø 20,	R 75	Ø 20,	R 75	Ø 20,	R 75	581084R
Ø 22,	R 77	Ø 22,	R 77	Ø 22,	R 77	Ø 22,	R 77	581464R
Ø 22,	R 88	Ø 22,	R 88	Ø 22,	R 88	Ø 22,	R 88	581474R
Ø 24,	R 75	Ø 24,	R 75	Ø 24,	R 75	Ø 24,	R 75	581134R
Ø 25,	R 98	Ø 25,	R 98	Ø 25,	R 98	Ø 25,	R 98	581184R
Ø 26,	R 98	Ø 26,	R 98	Ø 26,	R 98	Ø 26,	R 98	581274R
Ø 28,	R 102	Ø 28,	R 102	Ø 28,	R 102	Ø 28,	R 102	581074R
Ø 28,	R 114	Ø 28,	R 114	Ø 28,	R 114	Ø 28,	R 114	581074R
Ø 30,	R 98	Ø 30,	R 98	Ø 30,	R 98	Ø 30,	R 98	581154R
Ø 32,	R 98	Ø 32,	R 98	Ø 32,	R 98	Ø 32,	R 98	581284R
Ø 32,	R 114	Ø 32,	R 114	Ø 32,	R 114	Ø 32,	R 114	581324R
Ø 35,	R 140	Ø 35,	R 140	Ø 35,	R 140	Ø 35,	R 140	581354R
Ø 40,	R 140	Ø 40,	R 140	Ø 40,	R 140	Ø 40,	R 140	581334R
Ø 3/8",	R 43	Ø 3/8",	R 43	Ø 3/8",	R 43	Ø 3/8",	R 43	581204R
Ø 1/2",	R 52	Ø 1/2",	R 52	Ø 1/2",	R 52	Ø 1/2",	R 52	581214R
Ø 5/8",	R 63	Ø 5/8",	R 63	Ø 5/8",	R 63	Ø 5/8",	R 63	581224R
Ø 3/4",	R 75	Ø 3/4",	R 75	Ø 3/4",	R 75	Ø 3/4",	R 75	581234R
Ø 7/8",	R 98	Ø 7/8",	R 98	Ø 7/8",	R 98	Ø 7/8",	R 98	581244R
Ø 1",	R 101	Ø 1",	R 101	Ø 1",	R 101	Ø 1",	R 101	581374R
Ø 11/8",	R 102	Ø 11/8",	R 102	Ø 11/8",	R 102	Ø 11/8",	R 102	581264R
Ø 11/8",	R 115	Ø 11/8",	R 115	Ø 11/8",	R 115	Ø 11/8",	R 115	581384R
Ø 11/4",	R 133	Ø 11/4",	R 133	Ø 11/4",	R 133	Ø 11/4",	R 133	581394R
Ø 13/8",	R 140	Ø 13/8",	R 140	Ø 13/8",	R 140	Ø 13/8",	R 140	581354R
deu	eng	fra	ita					
5 Kugelknopf	Knob	Bouton sphérique	Pomello	071007				
— Steckbolzen mont.	Socket pin mount.	Axe débrochable mont.	Bullone a inniesto mont.	582036				
— Pos. 5 und 6	Pos. 5 and 6	Pos. 5 et 6	Pos 5 e 6					
7 Sicherungsring	Locking ring	Circlip	Anello di sicurezza	059083				
8 Universalabstützung	Support universal	Support universel	Supporto universale	582055RE				
9 Zylinderschraube	Fillister head screw	Vis à tête cylindrique	Vite a testa cilindrica	081126				
10 Spiralspannstift	Spiral pin	Goupille spiralée	Spina elastica	088198				
11 Getriebegehäuse	Gear housing	Boite d'engrenage	Scatola degli ingranaggi	582026R				
12 Spiralspannstift	Spiral pin	Goupille spiralée	Spina elastica	088072				
13 Rillenkugellager	Grooved ball bearing	Roulement à billes	Cuscinetto a sfere	057088				
14 Ritzel	Pinion	Pignon	Pignone	850003R				
15 Passfeder	Key	Clavette	Chiavetta	849108				

REMS Curvo

deu	eng	fra	ita	
16 Stirrad	Wheel	Roue droite	Ruota dentata cilindrica	532010R220
17 Sicherungsscheibe	Locking washer	Rondelle de sécurité	Ranella di sicurezza	059042
18 Lagerplatte	Bearing plate	Plaque d'appui	Piastra di supporto	582018R
19 Blechschraube	Sheet metal screw	Vis à tôle	Vite da lamiera	083066
20 Zwischengehäuse	Intermediate housing	Carcasse intermediaire	Carcasa intermedia	570207R
21 O-Ring	O-ring	Joint torique	Guarnizione O-Ring	060109
Ritzelwelle — mit Rutschkupplung Pos. 22–31 und 13	Pinion shaft with safety clutch Pos. 22–31 and 13	Arbre pignon avec embrayage sécurité Pos. 22–31 et 13	Albero pignone a innest. sicurezza Pos. 22–31 e 13	582005
Ritzelwelle (110 V) — mit Rutschkupplung Pos. 22–31 und 13	Pinion shaft (110 V) with safety clutch Pos. 22–31 and 13	Arbre pignon (110 V) avec embrayage sécurité Pos. 22–31 et 13	Albero pignone (110 V) a innest. sicurezza Pos. 22–31 e 13	582006R
32 O-Ring	O-ring	Joint torique	Guarnizione O-Ring	060106
33 Spannhülse	Adaptor sleeve	Douille de serrage	Spina elastica	088131
34 Spindelrad	Spindle wheel	Roue d'arbre	Ruota albero	582029R
35 Sechskantmutter	Hexagon nut	Ecrou hexagonal	Dado esagonale	847008
36 Zylinderstift	Straight pin	Tige cylindrique	Spina cilindrica	088061
37 Nadelhülse	Needle bushing	Douille à aiguilles	Astuccio a rullini	057067
38 Schneckenwelle	Worm	Vis sans fin	Vite senza fina	850004R
39 Paßfeder	Key	Clavette	Chiavetta	582039
40 Nadelhülse	Needle bushing	Douille à aiguilles	Astuccio a rullini	057102
41 Sicherungsscheibe	Locking washer	Rondelle de sécurité	Ranella di sicurezza	059077
42 Laufscheibe	Washer	Rondelle	Ranella	057104
43 Axial-Nadelkranz	Axial needle collar	Cage à aiguilles axiale	Gabbia assiale a rullini	057103
44 Sicherungsring	Locking ring	Circlip	Anello di sicurezza	059012
45 Sicherungsring	Locking ring	Circlip	Anello di sicurezza	059060
46 Stirrad	Wheel	Roue droite	Ruota dentata cilindrica	542010R220
47 Sicherungsscheibe	Locking washer	Rondelle de sécurité	Ranella di sicurezza	059053
50 Blechschraube	Sheet metal screw	Vis à tôle	Vite da lamiera	083073
51 Rillenkugellager	Grooved ball bearing	Roulement à billes	Cuscinetto a sfere	057004
52 Lüfter	Ventilator	Ventilateur	Ventilatore	535007
— Anker mit Lüfter 230 V Pos. 52 und 53	Rotor with ventilator 230 V Pos. 52 and 53	Induit avec ventilateur 230 V Pos. 52 et 53	Indotto con ventilatore 230 V Pos. 52 e 53	585006R220
— Anker mit Lüfter 110 V Pos. 52 und 53	Rotor with ventilator 110 V Pos. 52 and 53	Induit avec ventilateur 110 V Pos. 52 et 53	Indotto con ventilatore 110 V Pos. 52 e 53	585006R110
54 Rillenkugellager	Grooved ball bearing	Roulement à billes	Cuscinetto a sfere	057061
55 Dämmring	Insulating ring	Anneau isolant	Anello isolante	570504
56 Lüfterabdeckung	Ventilator cover	Couvercle du ventilateur	Copertura di ventilatore	565409R
57 Stator 230 V	Stator 230 V	Stator 230 V	Statore 230 V	585005R220
— Stator 110 V	Stator 110 V	Stator 110 V	Statore 110 V	585005R110
58 Blechschraube	Sheet metal screw	Vis à tôle	Vite da lamiera	083087
59 Kohlebürste (Paar)	Carbon brush (pair)	Balais de charbon (paire)	Carboncini (paio)	535021R
— Gehäuse kompl. Pos. 55, 59–68	Housing compl. Pos. 55, 59–68	Carcasse compl. Pos. 55, 59–68	Carcassa compl. Pos. 55, 59–68	535025R
— Isoliering kompl. Pos. 61, 62, 63, 65	Insulating ring compl. Pos. 61, 62, 63, 65	Bague isolante compl. Pos. 61, 62, 63, 65	Anello di isolamento compl. Pos. 61, 62, 63, 65	535017
64 Schraube	Screw	Vis	Vite	535010
66 Buchse	Bush	Douille	Boccola	535012
67 Druckfeder	Pressure spring	Ressort de compression	Molla di compressione	535013
68 Kontaktstift	Contact pin	Fiche de contact	Spina di contatto	535011
69 Abdeckung	Cover	Couvercle	Coperchio	535003R
70 Abdeckring	Sealing ring	Bague-couvercle	Anello di copertura	535009R
71 Stahlkugel	Steel ball	Bille d'acier	Sfera di acciaio	057062
72 Druckfeder	Pressure spring	Ressort de compression	Molla di compressione	535015
73 Stelling	Adjusting ring	Bague d'inversion	Commutatore di rotazione	535004R
74 Distanzhülse	Distance sleeve	Entretoise	Boccola distanziatrice	535014
75 Griff	Handle	Poignée	Impugnatura	565027
76 Blechschraube	Sheet metal screw	Vis à tôle	Vite da lamiera	083066
77 Kondensator	Capacitor	Condensateur	Condensatore	027006
78 Biegeschutz	Rubber sleeve	Douille en caoutchouc	Manicotto di protezione	032057
79 Schaltlitze	Reversing strand	Câble comple	Cavetto	535022
80 Schalter 230 V	Switch 230 V	Interrupteur 230 V	Interruttore 230 V	023102R220
— Schalter 110 V	Switch 110 V	Interrupteur 110 V	Interruttore 110 V	023102R110
81 Bride	Strap	Bride	Linguetta	163130
82 Blechschraube	Sheet metal screw	Vis à tôle	Vite da lamiera	083063

REMS Curvo

deu	eng	fra	ita	
83 Anschlussleitung 230 V	Connecting cable 230 V	Raccordement 230 V	Cavo d'allacciamento 230 V	535037R220
Anschlussleitung 110 V	Connecting cable 110 V	Raccordement 110 V	Cavo d'allacciamento 110 V	535037R110
Anschlussleitung CH	Connecting cable CH	Raccordement CH	Cavo d'allacciamento CH	535037RSEV
84 Griffdeckel	Handle cover	Couvercle de poignée	Coperchio d'impugnatura	585028
85 Blechschraube	Sheet metal screw	Vis à tôle	Vite da lamiera	083187
87 O-Ring	O-ring	Joint torique	Guarnizione O-Ring	060175
88 Einsatz	Insert	Insertion	Inserto	586006
89 Einlage	Insert	Insertion	Inserto	586005
— Stahlblechkasten	Steel case	Coffret métallique	Cassetta metallica	586000R
Pos. 88, 89	Pos. 88, 89	Pos. 88, 89	Pos. 88, 89	
Getriebefett 0,5 kg	Gear flow grease 0.5 kg	Graisse à engrenages 0,5 kg	Grasso ingranaggi 0,5 kg	091002R0,5
— Motor kompl. 110 V	Motor compl. 110 V	Moteur compl. 110 V	Motore compl. 110 V	585000R110
Motor kompl. 230 V	Motor compl. 230 V	Moteur compl. 230 V	Motore compl. 230 V	585000R220
Motor kompl. CH	Motor compl. CH	Moteur compl. CH	Motore compl. CH	585000RSEV